



# Tactical Antenna Field Portable Antenna Kit FPAK-1-UHF(H)-K

## ASSEMBLY CONSIDERATIONS

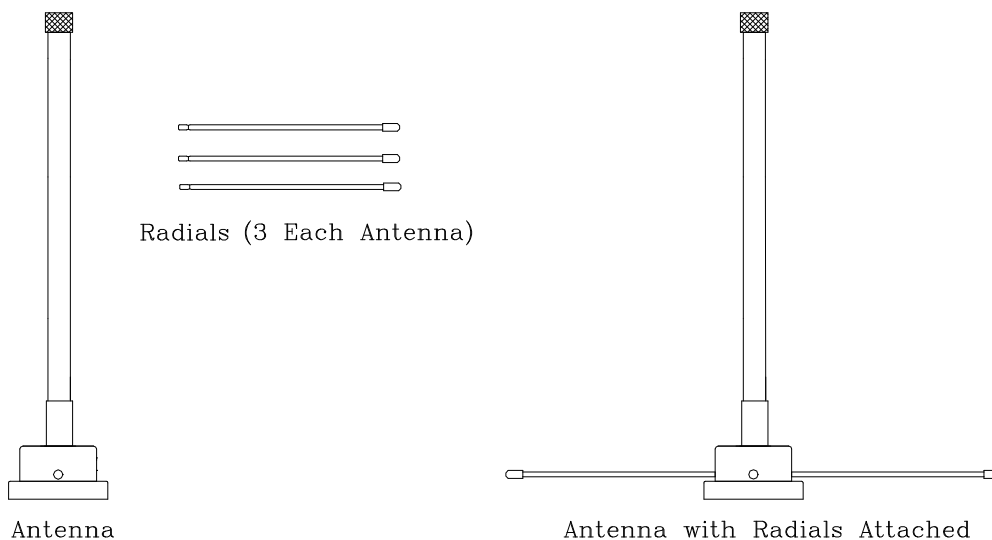
This instruction set will guide you through the proper set up of the 5/8 wave antenna included in your F.P.A.K.

### Stand Alone Antenna Use:

The antenna provided has a magnetic base and can be used as a stand-alone system for indoor operation mounted on a metal surface.

**Note:** This antenna does not require tools of any kind in the set-up. All operations are to be performed by hand. Do not adjust any exposed screw heads, as this will misalign the plungers used to hold the radials in place.

1. Insert three radials into the base of the antenna by pressing the beveled ends into the three holes located about the axis.
2. Press the radials into the base until you feel the plunger engage. (See Figure 1)
3. Connect the cable to the UHF port at the base of the antenna. Place the antenna in its operating position.
4. When the antenna is suspended from a ceiling, tape off the cable approximately six inches from the antenna base to prevent the antenna from being pulled down.

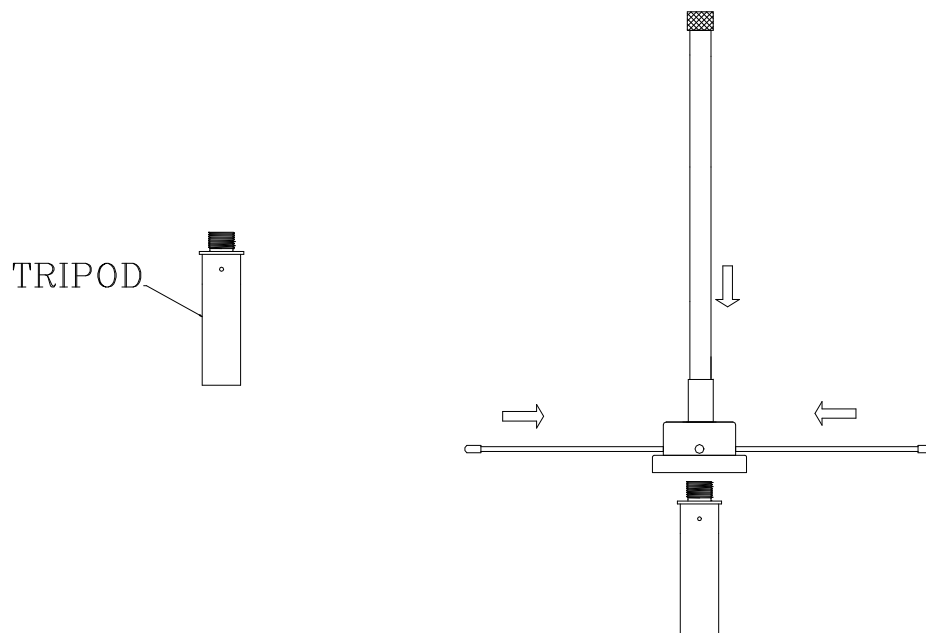


### Antenna Using Tripod Option:

The antenna has a tripod option so that the antenna can be deployed quickly virtually anywhere.

1. Thread antenna assembly onto the threads on top of the tripod provided. (See figure 2)

2. Press the radials into the base until you feel the plunger engage.
3. Repeat tuning steps 4-6 shown above.



**Figure 2**